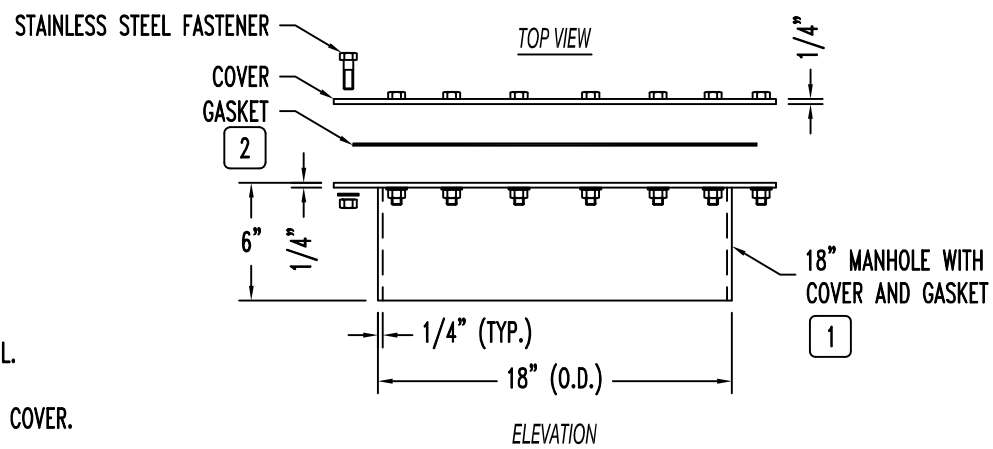
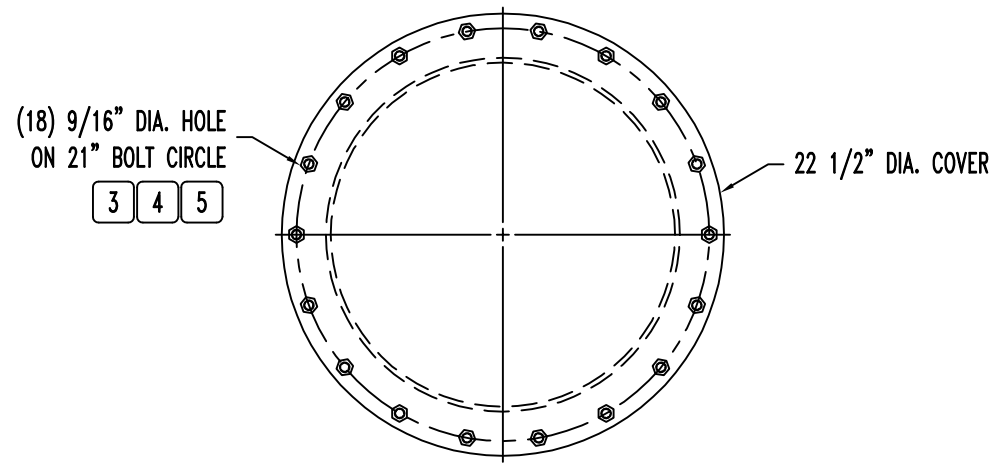


18" ABOVE LIQUID MANHOLE 6 3/8" TALL



- NOTES:**
1. MANHOLE ASSEMBLY SHALL BE CARBON STEEL.
 2. ALL FASTENERS SHALL BE STAINLESS STEEL.
 3. GASKET SHALL BE INSTALLED WITH MANHOLE COVER.
 4. GASKET SPECIFICATIONS:
CORK AND NITRILE RUBBER
1/8" THK. X 18" I.D. X 22 1/2" O.D.
 5. EXTERIOR COATING SHALL BE THE SAME AS TANK, UNLESS NOTED.

PRODUCT CODE	GALLONS	DESCRIPTION	OVERALL SIZE	SHIP WT.
MHB005		18" U/L ABOVE LIQUID MANWAY	22 1/2" DIA. X 6" H	

THIS DRAWING AND DESIGN SHOWN HEREIN IS THE PROPERTY OF CONTAINMENT SOLUTIONS. USE OR COPIES THEREOF CANNOT BE MADE WITHOUT WRITTEN CONSENT.

CUSTOMER NAME: _____
APPROVED BY: _____ DATE: _____

CONTAINMENT SOLUTIONS

DRAWN BY: D. ROVANG DATE DRAWN: 01-01-14
 DWG NUMBER: MHB005 SCALE:
 REV: REV BY: DATE: SHEET: 1 OF 1