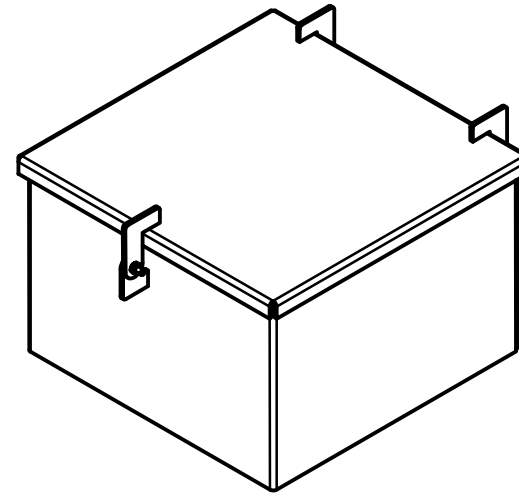
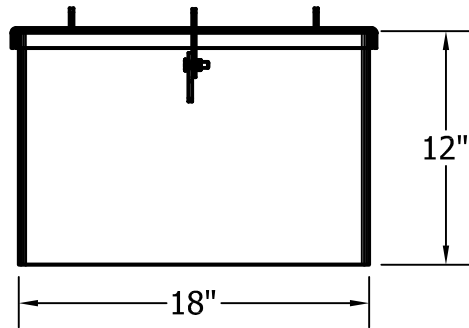


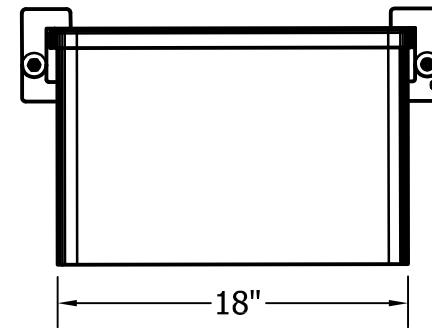
TOP VIEW



ISOMETRIC



ELEVATION VIEW



END VIEW

NOTES:

1. SPILLBOX BODY SHALL BE 10 GA. CARBON STEEL.
2. SPILLBOX LID SHALL BE ALUMINUM.
3. ALL FASTENERS SHALL BE STAINLESS STEEL.
4. SPILLBOX SHALL BE WELDED TO TANK.
5. SPILLBOX LID SHALL OPEN NO LESS THAN 135° PAST HORIZONTAL.
6. EXTERIOR COATING SHALL BE THE SAME AS TANK, UNLESS NOTED.

PRODUCT CODE	GALLONS	DESCRIPTION	OVERALL SIZE	SHIP WT.
SBB001R	15	SPILLBOX	18" L X 18" W X 12" H	48 LBS.

**CONTAINMENT SOLUTIONS®**

THIS DRAWING AND DESIGN SHOWN HEREIN IS THE PROPERTY OF CONTAINMENT SOLUTIONS. USE OR COPIES THEREOF CANNOT BE MADE WITHOUT WRITTEN CONSENT.

CUSTOMER NAME \_\_\_\_\_

**APPROVED** BY: \_\_\_\_\_ DATE: \_\_\_\_\_

DRAWN BY: D. ROVANG		DATE DRAWN: 01-01-14	
DWG NUMBER: SBB001		SCALE: 1:10	
REV:	REV BY:	DATE:	SHEET: 1 OF 1