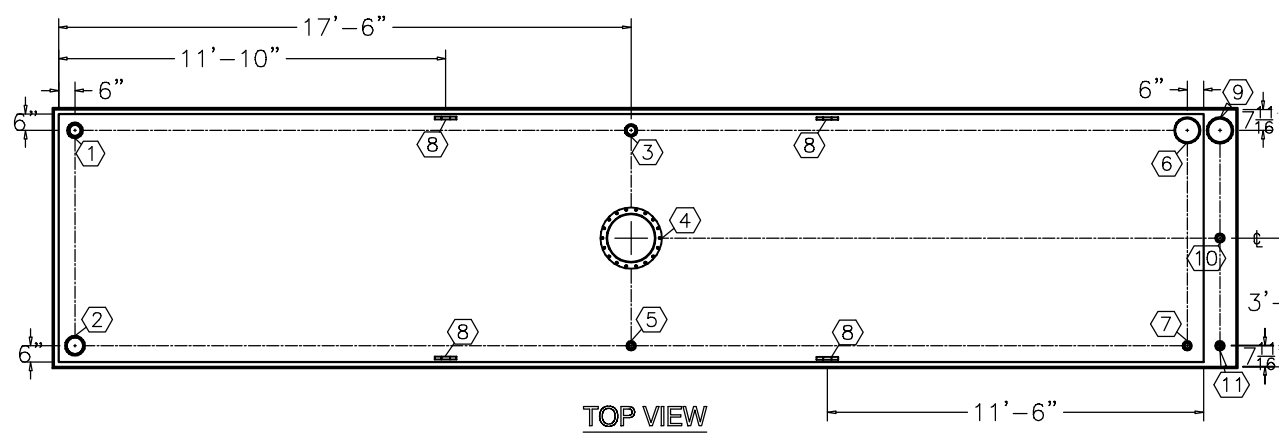
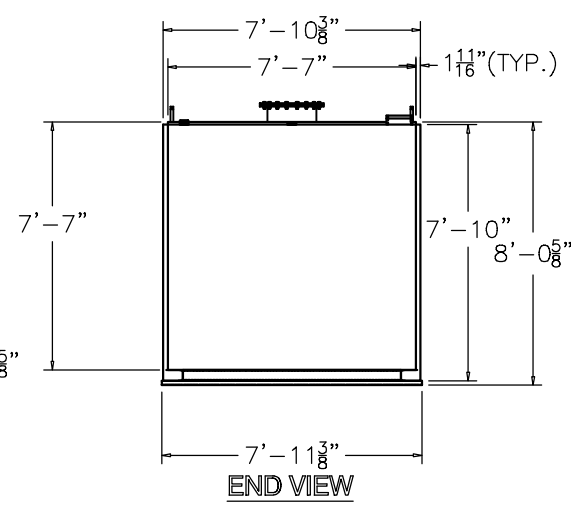
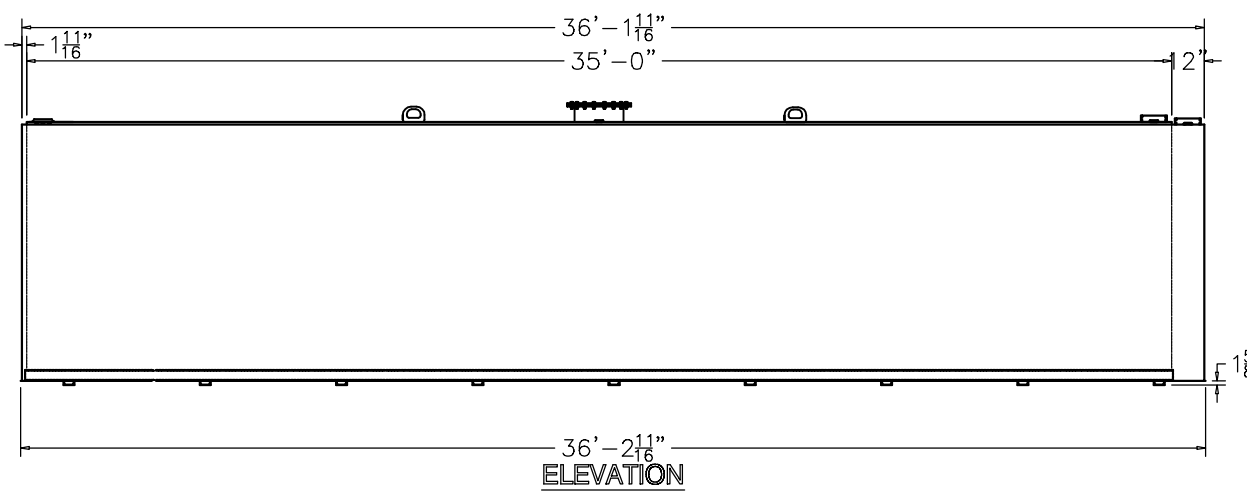


**NOTE:**  
 OVERALL SHIPPING DIMENSION: 36'-3" L X 8'-0" W X 8'-8" H

ITEM	SIZE	SUGGESTED FUNCTION
1	4"	SPARE
2	6"	FILL
3	3"	PRIMARY TANK WORKING VENT
4	18"	ABOVE LIQUID MANHOLE, DWG."MHB005"
5	2"	MECHANICAL GAUGE/SPARE
6	8"	PRIMARY TANK EMERGENCY VENT
7	2"	SPARE
8	LARGE	LIFTING LUG
9	8"	SECONDARY CONTAINMENT EMERGENCY VENT
10	2"	SECONDARY MONITOR PORT
11	2"	SECONDARY WORKING VENT



**TANK SPECIFICATIONS**  
 VENTING CAPACITY: PRIMARY TANK - 497,500 CUBIC FEET PER HOUR  
 SECONDARY TANK - 516,400 CUBIC FEET PER HOUR  
 MATERIAL: PRIMARY TANK - 1/4" THICK  
 SECONDARY TANK - 3/16" THICK



PRODUCT CODE	GALLONS	DESCRIPTION	OVERALL SIZE	SHIP WT.
LCAA115MDS000	15,000	UL-142 DOUBLE WALL LUBE CUBE TANK	36'-3" L X 8'-0" W X 8'-1" H	22,100 LBS.



THIS DRAWING AND DESIGN SHOWN HEREIN IS THE PROPERTY OF CONTAINMENT SOLUTIONS. USE OR COPIES THEREOF CANNOT BE MADE WITHOUT WRITTEN CONSENT.

CUSTOMER NAME: \_\_\_\_\_  
**APPROVED** BY: \_\_\_\_\_ DATE: \_\_\_\_\_

DRAWN BY: D. ROVANG		DATE DRAWN: 01-01-14	
DWG NUMBER: 5100111		SCALE: 1:72	
REV:	REV BY:	DATE:	SHEET: 1 OF 1