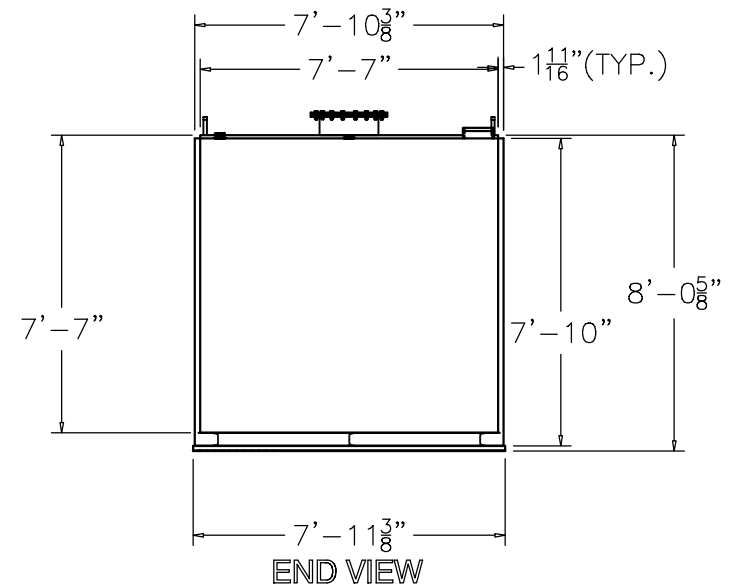
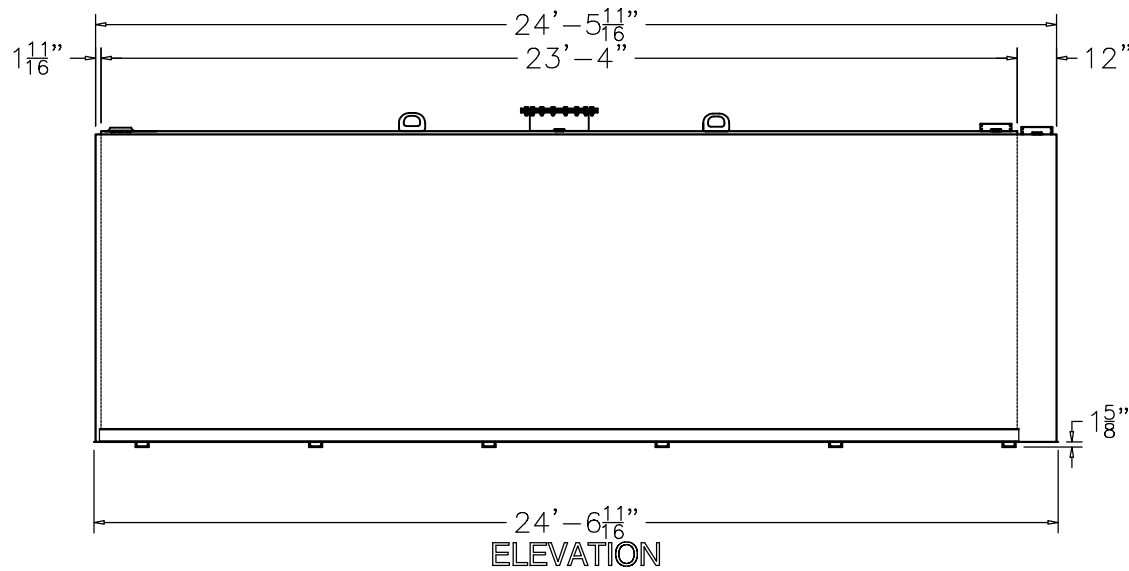
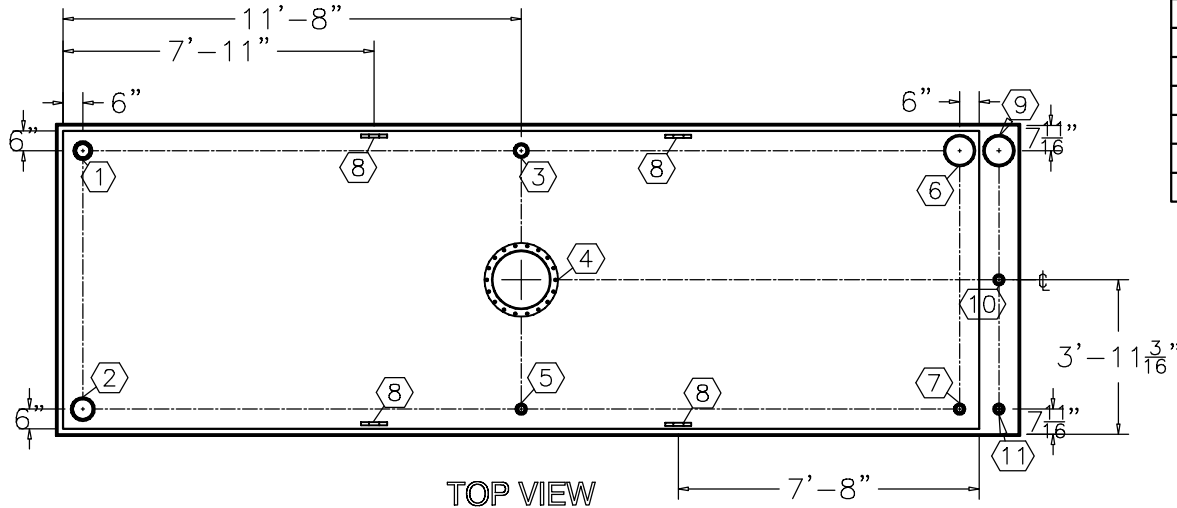


NOTE:
 OVERALL SHIPPING DIMENSION: 24'-7" L X 8'-0" W X 8'-8" H

ITEM	SIZE	SUGGESTED FUNCTION
1	4"	SPARE
2	6"	FILL
3	3"	PRIMARY TANK WORKING VENT
4	18"	ABOVE LIQUID MANHOLE, DWG."MHB005"
5	2"	MECHANICAL GAUGE/SPARE
6	8"	PRIMARY TANK EMERGENCY VENT
7	2"	SPARE
8	LARGE	LIFTING LUG
9	8"	SECONDARY CONTAINMENT EMERGENCY VENT
10	2"	SECONDARY MONITOR PORT
11	2"	SECONDARY WORKING VENT

TANK SPECIFICATIONS

VENTING CAPACITY: PRIMARY TANK - 428,000 CUBIC FEET PER HOUR
 SECONDARY TANK - 428,000 CUBIC FEET PER HOUR
 MATERIAL: PRIMARY TANK - 1/4" THICK
 SECONDARY TANK - 3/16" THICK



PRODUCT CODE	GALLONS	DESCRIPTION	OVERALL SIZE	SHIP WT.
LCAA110MDS000	10,000	UL-142 DOUBLE WALL LUBE CUBE TANK	24'-7" L X 8'-0" W 8'-1" H	16,125 LBS.

THIS DRAWING AND DESIGN SHOWN HEREIN IS THE PROPERTY OF CONTAINMENT SOLUTIONS. USE OR COPIES THEREOF CANNOT BE MADE WITHOUT WRITTEN CONSENT.

CUSTOMER NAME: _____
APPROVED BY: _____ DATE: _____



DRAWN BY: D.ROVANG	DATE DRAWN: 01-01-14
DWG NUMBER: 5100109	SCALE: 1:60
REV: _____	REV BY: _____
DATE: _____	SHEET: 1 OF 1