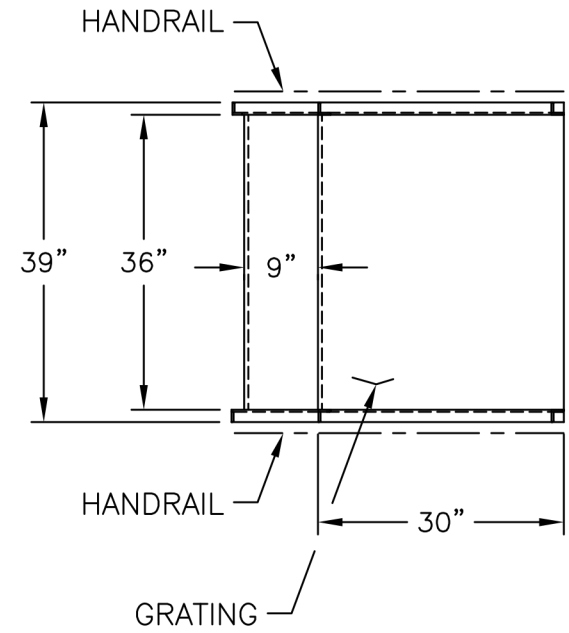
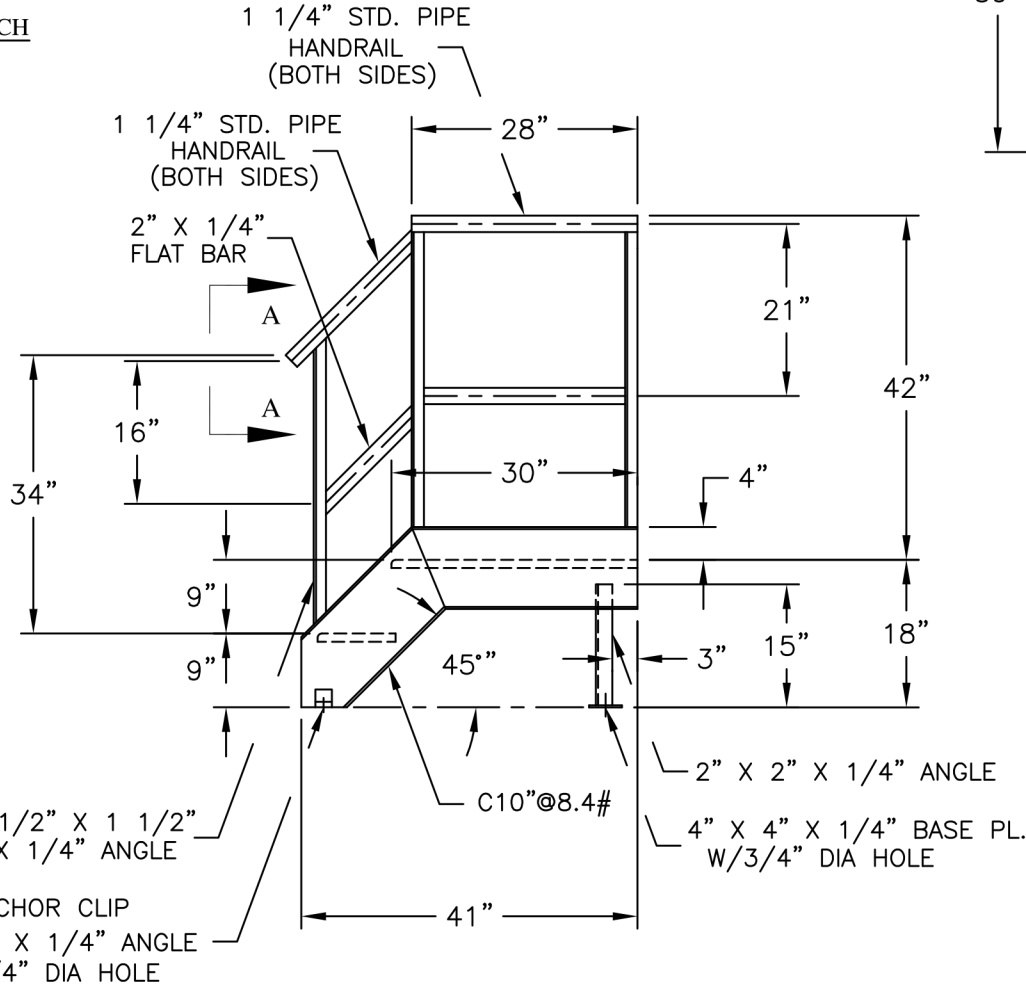
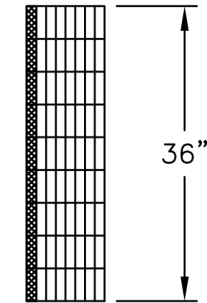


TYP AT EACH  
POST  
"A-A"



PLAN



TYP. STAIR TREAD

UPGRADE:  
OPTIONAL GALVANIZED FINISH.

PRODUCT CODE	GALLONS	DESCRIPTION	OVERALL SIZE	SHIP WT.
STB009		1 STEP STAIR W/LANDING	3'-5" L X 3'-3" W X 5'-0" H	225 LBS.
THIS DRAWING AND DESIGN SHOWN HEREIN IS THE PROPERTY OF CONTAINMENT SOLUTIONS. USE OR COPIES THEREOF CANNOT BE MADE WITHOUT WRITTEN CONSENT.				
CUSTOMER NAME		APPROVED BY: _____		DATE: _____



**CONTAINMENT**  
SOLUTIONS®

DRAWN BY: D. ROVANG		DATE DRAWN: 07-01-09	
DWG NUMBER: STB009		SCALE: 1:24	
REV:	REV BY:	DATE:	SHEET: 1 OF 1