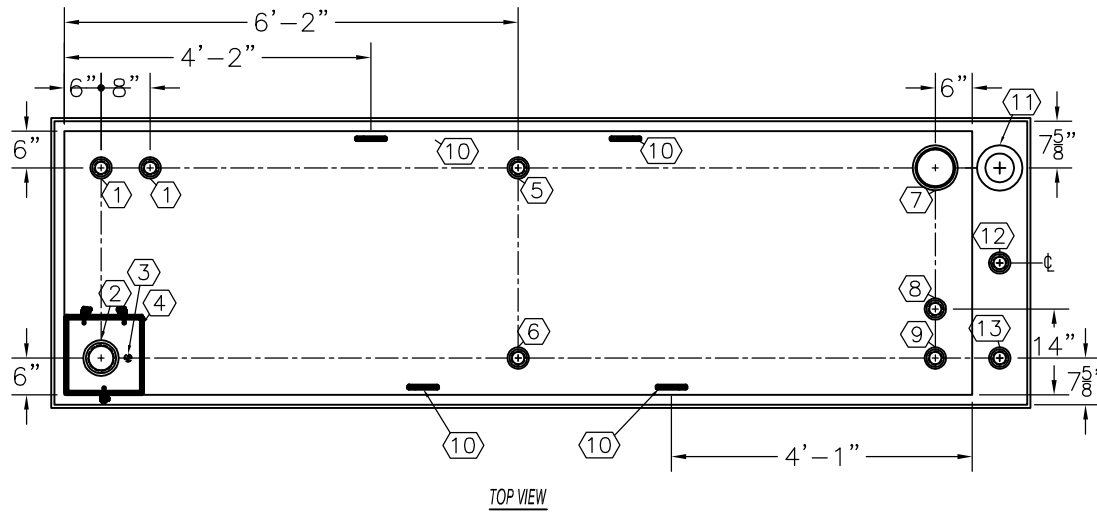
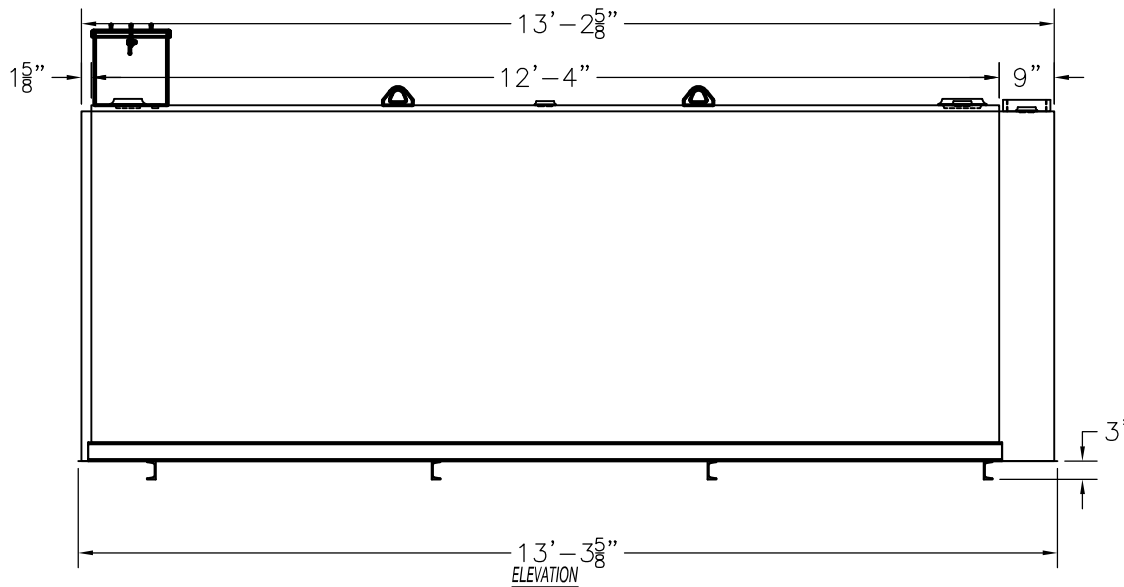


NOTE:
OVERALL SHIPPING DIMENSION: 13'-4" L X 4'-0" W X 6'-2" H



TOP VIEW



ELEVATION

ITEM	SIZE	SUGGESTED FUNCTION
1	2"	SPARE
2	4"	FILL
3	1/2"	DRAIN FOR SPILLBOX
4	7 GAL.	SPILLBOX, DWG."SBB002"
5	2"	PRIMARY TANK WORKING VENT
6	2"	MECHANICAL GAUGE/SPARE
7	6"	PRIMARY TANK EMERGENCY VENT
8	2"	RETURN
9	2"	SUPPLY
10	SMALL	LIFTING LUG
11	6"	SECONDARY CONTAINMENT EMERGENCY VENT
12	2"	SECONDARY MONITOR PORT
13	2"	SECONDARY WORKING VENT

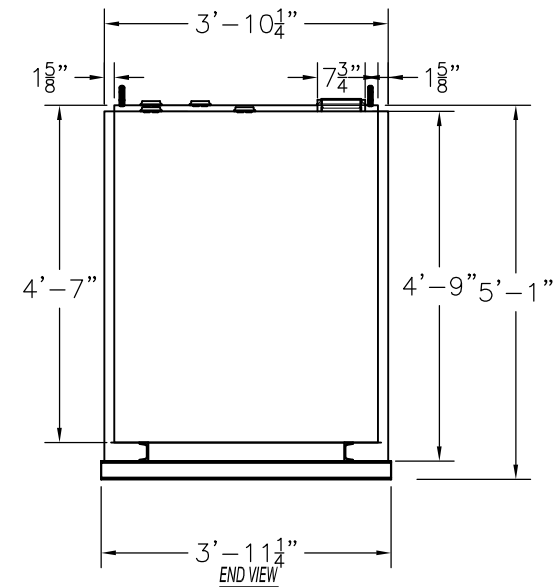
TANK SPECIFICATIONS

VENTING CAPACITY: PRIMARY TANK - 211,000 CUBIC FEET PER HOUR

SECONDARY TANK - 239,000 CUBIC FEET PER HOUR

MATERIAL: PRIMARY TANK - 10 GA.

SECONDARY TANK - 10 GA.



END VIEW

PRODUCT CODE	GALLONS	DESCRIPTION	OVERALL SIZE	SHIP WT.
GCAA115CDS001	1,500	UL-142 DOUBLE WALL GEN CUBE TANK W/SPILLBOX	13'-4" L X 4'-0" W X 5'-1" H	3,250 LBS.



THIS DRAWING AND DESIGN SHOWN HEREIN IS THE PROPERTY OF CONTAINMENT SOLUTIONS. USE OR COPIES THEREOF CANNOT BE MADE WITHOUT WRITTEN CONSENT.

CUSTOMER NAME: _____
APPROVED BY: _____ DATE: _____

DRAWN BY: D. ROVANG DATE DRAWN: 01-01-14
 DWG NUMBER: 5104008 SCALE: 1:32
 REV: _____ REV BY: _____ DATE: _____ SHEET: 1 OF 1